

ZONE MANAGERS

ZM-9001, ZM-9002

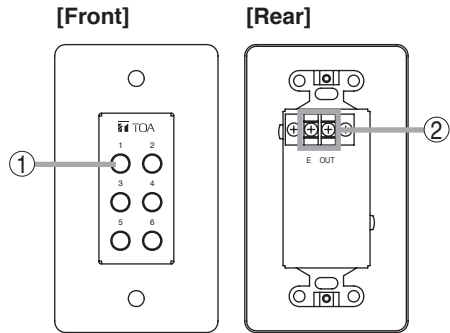
Thank you for purchasing TOA's Zone Manager.
Please carefully follow the instructions in this manual to ensure long, trouble-free use of your equipment.

1. GENERAL DESCRIPTION

The ZM-9001 is a remote control switch panel used with the 9000 Series amplifiers. It adds 6 control inputs and can be mounted in a 1-gang electrical box (American type).
The ZM-9002 is a remote control switch/volume panel used with the 9000 Series amplifiers. It adds 4 control inputs and 1 volume control, and can be mounted in a 1-gang electrical box (American type).

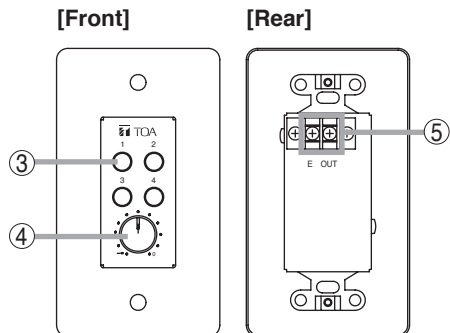
2. NOMENCLATURE AND FUNCTIONS

2.1. ZM-9001



- 1. Control buttons [1 – 6]**
Activate the function assigned to them when pressed.
- 2. Control output terminal [E, OUT]**
Connect this terminal to the 9000 Series amplifier's REMT VOL terminal.
Use a shielded cable with 50 Ω or less line resistance (per line) for this connection.
Avoid installation of this cable and power cables in the same conduit. Separate piping.

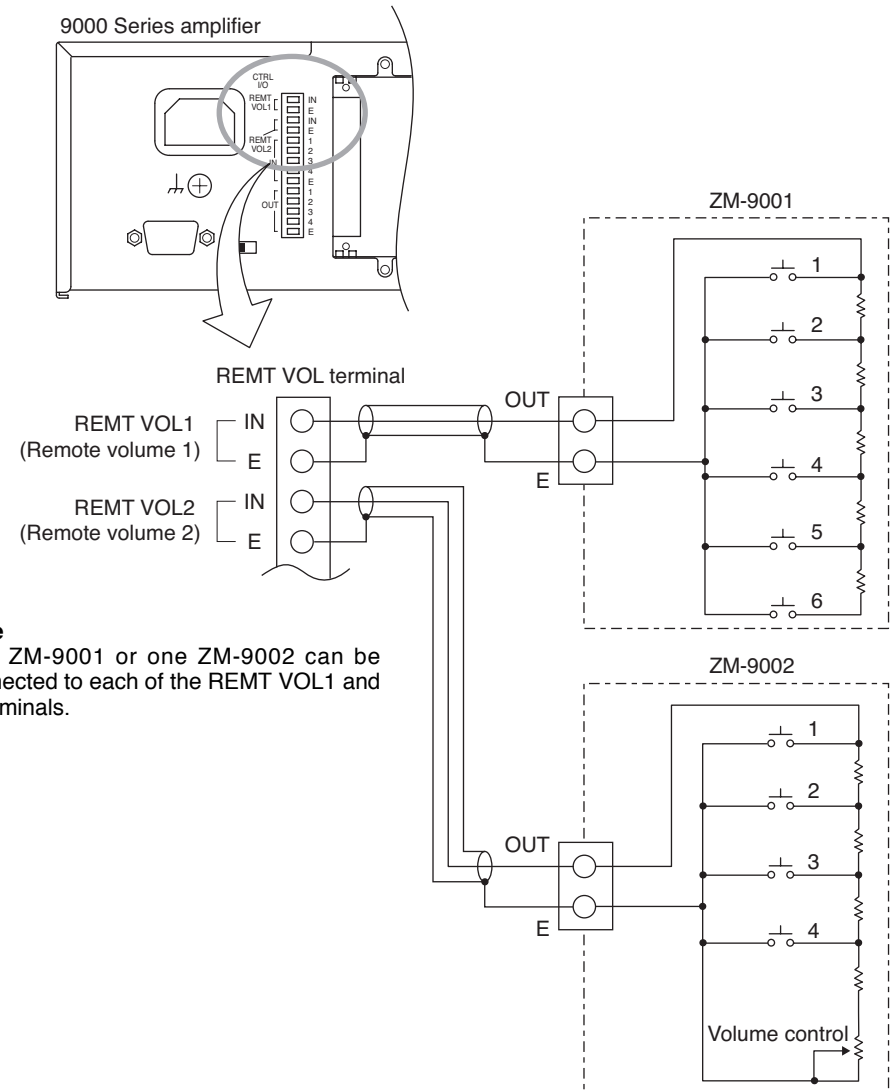
2.2. ZM-9002



- 3. Control buttons [1 – 4]**
Activate the function assigned to them when pressed.
- 4. Volume control**
Adjusts the volume on the assigned input or output channel.
- 5. Control output terminal [E, OUT]**
Connect this terminal to the 9000 Series amplifier's REMT VOL terminal.
Use a shielded cable with 50 Ω or less line resistance (per line) for this connection.
Avoid installation of this cable and power cables in the same conduit. Separate piping.

3. CONNECTIONS

Connecting the ZM-9001 Zone Manager to the 9000 Series amplifier adds 6 control inputs and allows the equipped 6 control buttons to perform the functions assigned for input's or output's channel volume up/down, or other functions.
Connecting the ZM-9002 Zone Manager to the 9000 Series amplifier adds 1 volume control and 4 control inputs. Volume of the input or output channels can be remotely adjusted with the volume control, and the 4 control buttons can be assigned the same functions as those of the ZM-9001.
Function assignment to the control buttons or volume control is performed at the 9000 Series amplifier. For the method, refer to the instruction manual supplied with the 9000 Series amplifier.

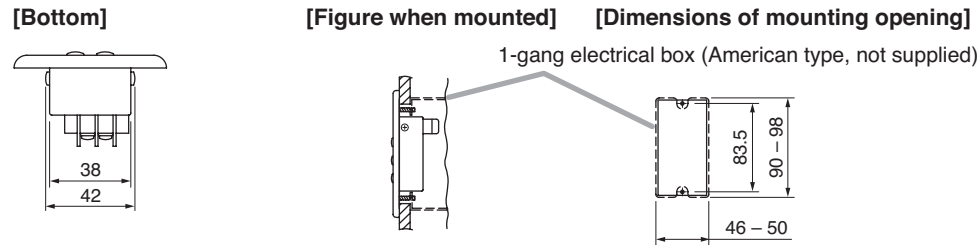
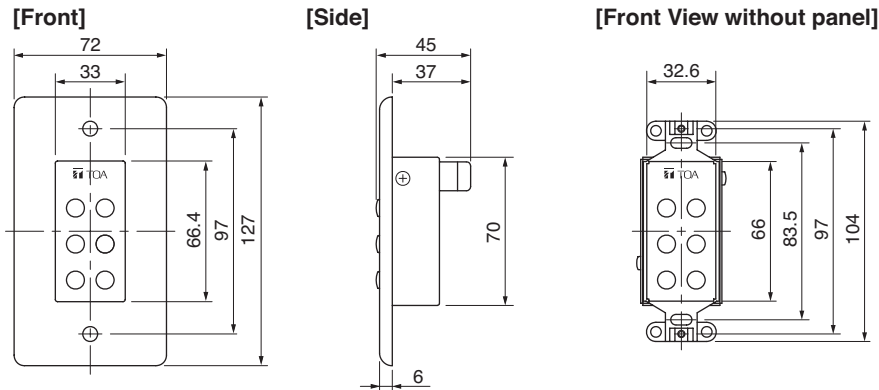


Note
One ZM-9001 or one ZM-9002 can be connected to each of the REMT VOL1 and 2 terminals.

4. DIMENSIONAL DIAGRAMS

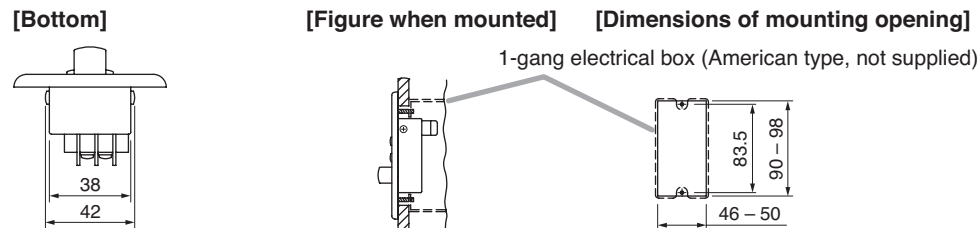
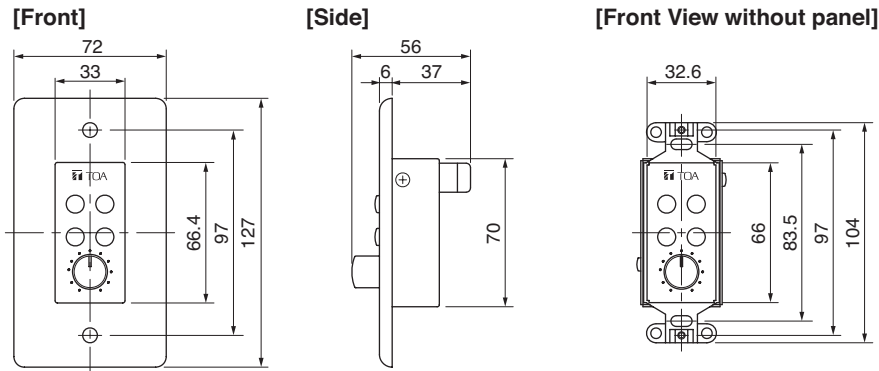
4.1. ZM-9001

Unit: mm



4.2. ZM-9002

Unit: mm



5. SPECIFICATIONS

5.1. ZM-9001

Applicable Cable	Single conductor shielded cable
Line Resistance	50 Ω or less (per line)
Terminal	M3 screw terminal, distance between barriers: 7.62 mm
Operating Temperature	-10 to +40°C
Finish	Surface-treated steel plate, white, paint
Dimensions	72 (w) x 127 (h) x 45 (d) mm
Weight	170 g

Note: The design and specifications are subject to change without notice for improvement.

• Accessories

Machine screw (for box mounting)	
No.6-32UNC x 30	2
M4 x 30	2
Machine screw (for panel mounting) No.6-32UNC x 6	2

5.2. ZM-9002

Applicable Cable	Single conductor shielded cable
Line Resistance	50 Ω or less (per line)
Terminal	M3 screw terminal, distance between barriers: 7.62 mm
Operating Temperature	-10 to +40°C
Finish	Surface-treated steel plate, white, paint
Dimensions	72 (w) x 127 (h) x 56 (d) mm
Weight	170 g

Note: The design and specifications are subject to change without notice for improvement.

• Accessories

Machine screw (for box mounting)	
No.6-32UNC x 30	2
M4 x 30	2
Machine screw (for panel mounting) No.6-32UNC x 6	2

Traceability Information for Europe (EMC directive 2004/108/EC)

Manufacturer:
TOA Corporation
7-2-1, Minatojima Nakamachi, Chuo-ku, Kobe, Hyogo,
Japan

Authorized representative:
TOA Electronics Europe GmbH
Suederstrasse 282, 20537 Hamburg,
Germany